

### IMPORTANT INFORMATION

**NOTE:** Please visit [www.jeld-wen.com](http://www.jeld-wen.com) for additional resources and complete instructions. We have How-To videos and written Product Guides available for most products. Contact us for more information.

#### Included Parts

- 1 Secondary Vent Stop Assembly
- 2 Screws

### ⚠ WARNING

**This secondary vent stop is NOT a security device.**

#### Precautions and Safety

- Use proper and safe equipment and protective gear as necessary.

#### Needed Tools

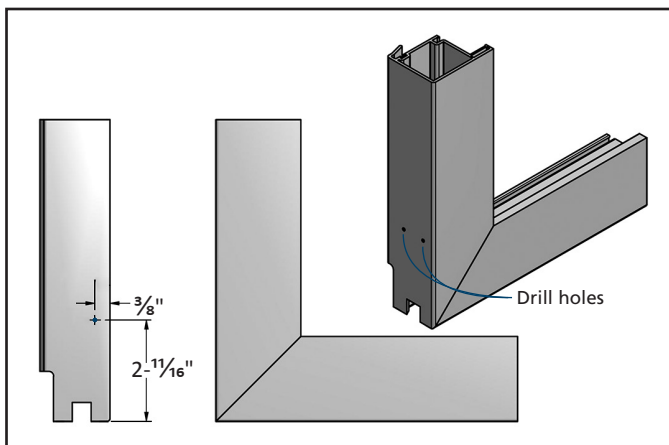
- Drill
- 3/32" and 5/16" drill bit
- Drill bit mechanical collar or painter's tape
- Phillips head screwdriver
- Round file

### PATIO DOOR SECONDARY VENT STOP REPLACEMENT

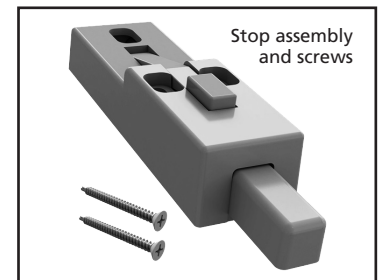
## NOTICE

**The active panel may be removed to aid in the installation of the secondary vent stop.**

1. Using a 3/32" drill bit to pre-drill the initial placement hole (reference the drawing for hole location).



2. Align the secondary vent stop to the edge of the panel and affix by placing a screw through the pre-drilled hole. Tighten until snug.
3. Ensure the stop is square with the edge of the panel and level with the bottom of the panel.
4. Create a second pre-drilled hole through the other screw hole in the secondary vent stop. Apply the screw and tighten until snug.
5. Reinstall the panel, if removed. Position the active panel 4" away from the (locking) side jamb.
6. Activate the stop mechanism until the pins are in contact with the sill track.
7. Using the pins as a guide, trace around the pins to locate the receiving holes.
8. Close the door panel.



### ⚠ CAUTION

**Only drill through the TOP WALL of the sill track. Use a 5/16" drill bit to generate the two receiving holes in the sill track.**

9. Clean any burrs with a round file and test for operation.

The advice offered herein can be done by a homeowner with some mechanical aptitude. If you are unsure, it is recommended that you hire a trained service provider such as a competent and licensed construction contractor or building professional. JELD-WEN disclaims any and all liability associated with the use and/or provision of these instructions. Any reliance upon the information or advice is at the risk of the party so relying. The information contained herein may be changed from time to time without notification.

©2023 JELD-WEN, Inc. This publication and its contents are owned by or licensed to JELD-WEN, Inc. or its affiliates or third parties, and are protected by copyright, trademark, and other laws. Unauthorized use or duplication is prohibited. JELD-WEN reserves the right to change product specifications without notice. Please visit our website at [jeld-wen.com](http://jeld-wen.com) for current information. All rights reserved.